

## S1200 SPECTRUM SENSOR

The S1200 leverages next-generation technology for unmatched small UAS detection capability in a lightweight, portable package.

The S1200 is a 2-D Active Electronically Scanned Array (AESA) direction finder designed specifically for rapid, precise detection and tracking of small unmanned aircraft systems (sUAS). It was created by the world-class sensor team at Gryphon Sensors, LLC, leveraging nearly 60 years of expertise from its parent company, SRC, Inc.

The S1200 monitors signals in frequency bands used by commercial drones. It has an ever-growing library of drone control signal profiles used to detect and classify these types of signals. The S1200 reliably and automatically detects radio frequency emissions from any size commercial drone out to a 5 km radius.

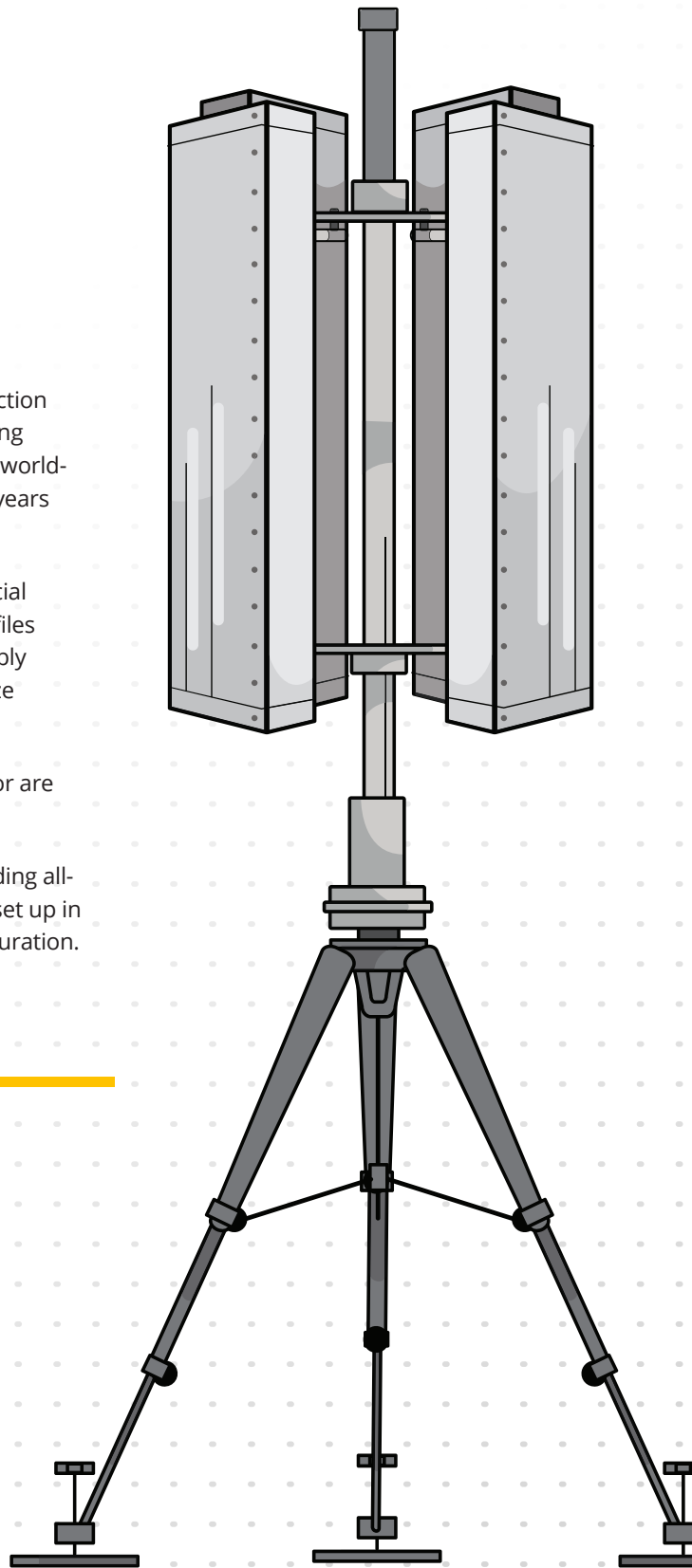
Accurate lines of bearing for both the craft and the drone operator are provided.

The sensor is designed for maximum flexibility in operation including all-weather, permanent or mobile emplacement. The S1200 can be set up in minutes and comes with a user-friendly interface for quick configuration.

---

### THE S1200 SPECTRUM SENSOR IS IDEAL FOR:

- Drone security
- sUAS classification



# GENERAL SPECIFICATIONS

## Weight

25 lb (11 kg) per panel,  
140 lb (62 kg) with four panels and tripod

## Input power

Standard wall outlet capable (US & EU)

## Interface

Ethernet

## Detection Range

Small UAS up to 5 km

## Azimuth Coverage

90° per panel

## Elevation Coverage

15°

## Frequency Band

2.4 and 5.8 GHz

## Environment

IP67

## Electromagnetic

Designed to MIL-STD-461F  
and FCC/CE/UL standards

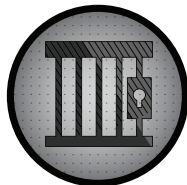
# S1200 SPECTRUM SENSOR FEATURES

- Low size, weight and power (SWaP); man transportable
- Set up and operate within minutes
- 24/7 operation in all weather conditions
- Situational awareness for UAS targets
- Built-in target tracking and classification
- Immediate alarm notifications
- Networkable
- Drone signature database (continually updated)
- Small footprint; easy to scale
- Triangulation allows for more precise detection
- Flexible mounting capabilities

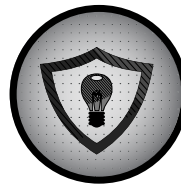
# APPLICATIONS



**Critical Asset Protection**



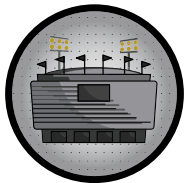
**Prisons**



**Intellectual Property Protection**



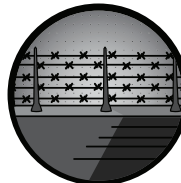
**Airport Security**



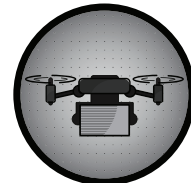
**Sports Venue Surveillance**



**Special Event Security**



**Border Surveillance**



**UTM**